

**PERGOLA ARBOR**  
**ASSEMBLY AND OPERATING**  
**INSTRUCTIONS**

**Produced Exclusively by D.C. America**

**(Fits For Model PGAR808 –MBR)**



**CORPORATE OFFICE**  
**PO BOX 660999, Arcadia, CA 91066**  
**1-800-238-LAWN(5296)**

# Read Manual

Save this Manual for future reference.

Your Gazebo requires assembly prior to use. It is important that you read the entire manual to become familiar with the unit **BEFORE** you set up the Arbor






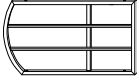


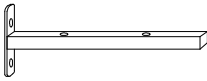

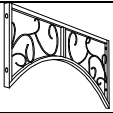
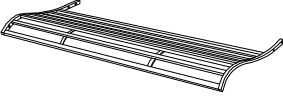


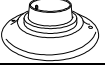


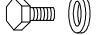

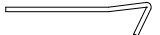
## Safety Warning and Precautions

**WARNING:** When using product, basic safety precautions should always be followed to reduce the risk of personal injury and damage to equipment.

### Read all instructions before assembly and using this product

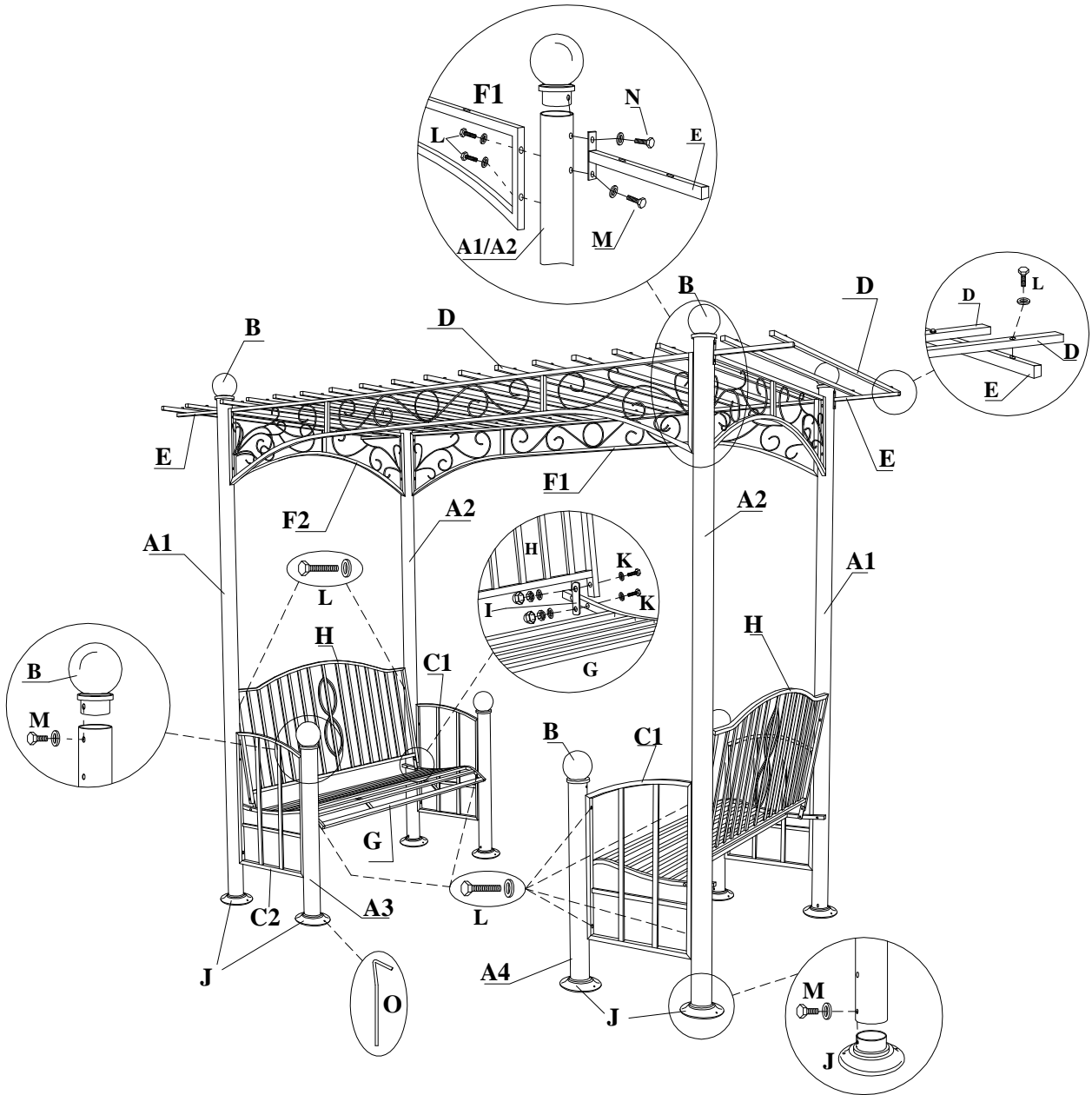
- 1. Select ideal location.** Set out all parts on a clear and level surface prior to assembly. Ideally, the Gazebo should be set up in the desired location to avoid moving it after assembly.
- 2. Use caution.** During all the process of assembling, especially when lifting heavy or large parts, pay attention to safety. No one other than those assistants should be allowed in the work area.
- 3. Tools and Assistance.** Ladder and phillips head screwdriver are required, but not provided. Whenever possible, assistance is preferred.
- 4. Check for parts available.** Before assembling your Pavilion Frame, make sure that you have all parts described in the Parts List on page 5. During all the process of unpacking and assembly, please ensure that all label of parts # on package should be always kept with product in self for identification.
- 5. Check for damaged parts.** Before assembling your Pavilion Frame check for damaged parts. Any part that appears damaged should be carefully checked to determine if it can be operated properly and perform its intended function.
- 6. Refer to assembly diagram.** During assembly, it will be helpful to refer to the assembly diagram on page 6.
- 7. Keep children away.** Children shouldn't be allowed in the work area. Do not let them handle parts and tools. Do not allow children to climb on when it is in use.

# Parts List:

Part#	Description	Figure	Quantity
A1	Post		2
A2	Post		2
A3	Post		2
A4	Post		2
B	Decorative Ball		8
C1	Fence		2
C2	Fence		2
D	Top supporting tube		18
E	Outside Top Tube		4
F1	Long Lintel		2
F2	Short Lintel		2
G	Seat		2
H	Backrest		2
I	Connection piece		4
J	Base Plate		8
K	Bolt( M6*32 ), Washer, Nut, Plastic Nut Cap		8
L	Bolt( M6*32 ), Washer,		80
M	Bolt ( M6*15 ), Washer		16
N	Bolt ( M6*18 ), Washer		4
O	Stake		16

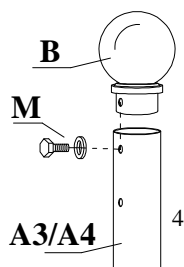
P	Wrench		2
---	--------	---	---

# Assembly diagram

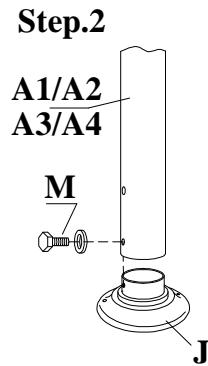


Step 1 : Attach the Decorative Ball (B) to Post ( A3、 A4 ) with Bolt (M).

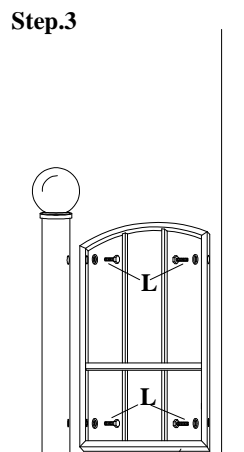
## Step.1



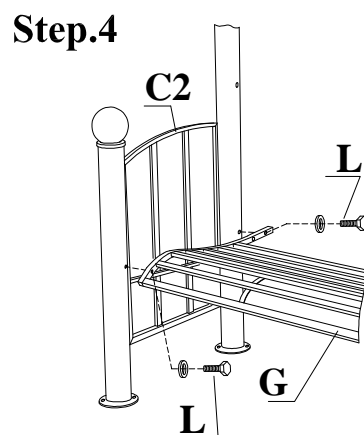
Step2 : Attach the Base Plate (J) to Post ( A1、 A2、 A3、 A4 ) with Bolt (M).



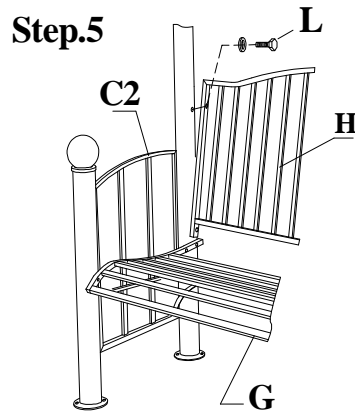
Step 3 : Attach the Fence ( C1、 C2 ) to Post ( A1、 A2、 A3、 A4 ) with Bolt (L).



Step 4 : Attach the Seat (G) to Post ( A1、 A2、 A3、 A4 ) with Bolt (L).

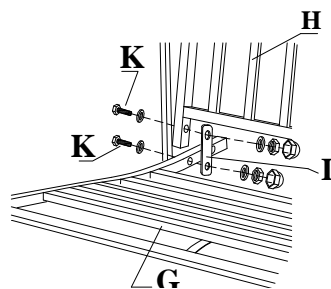


Step5:Attach the Backrest (H) to Post ( A1、 A2 ) with Bolt (L).



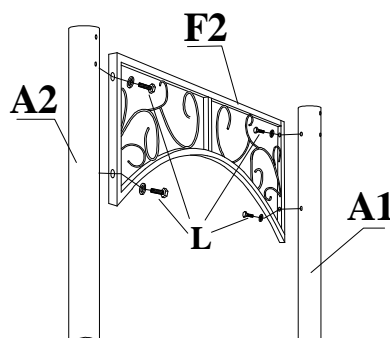
Step6:Attach the Seat (G), Backrest (H) to Connection Piece (I) with Bolt (K).

Step.6



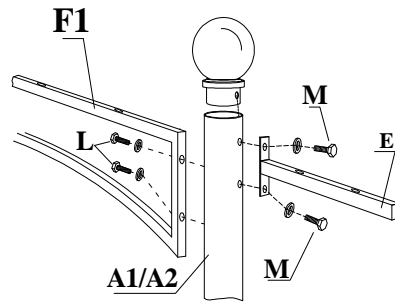
Step 7 : Attach the Short Lintel (F2) to Post ( A1、 A2 ) with Bolt (L).

Step.7



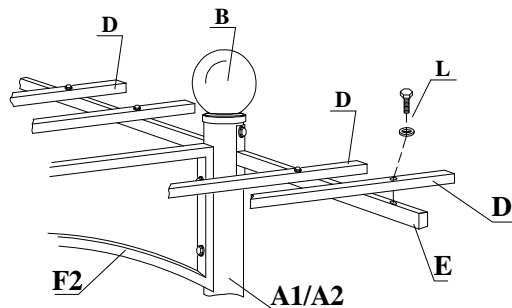
Step 8 : Attach the Long Lintel (F1) to Post( A1、 A2 ) with Bolt (L), and attach the Outside Top Tube (E) and Decorative Ball (B) to Post ( A1、 A2 ) with Bolt (M).

**Step.8**



Step 9 : Attach the Top Supporting Tube (D) to the Outside Top Tube (E) , the Short Lintel (F2) with Bolt (L);

**Step.9**



Step 10 : Fix the arbor by inserting the Stake (O) into the hole of the Base Plate (J).

