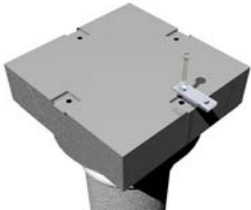

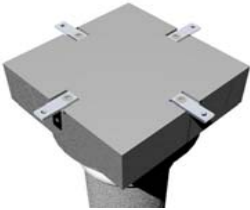
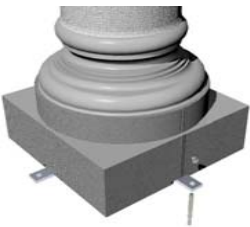





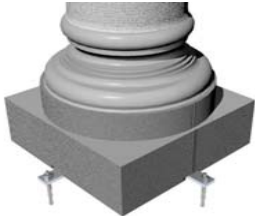

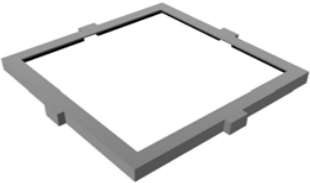
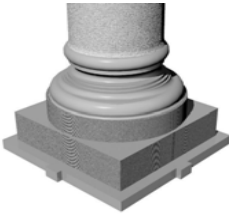
# Arched Pergola Installation Manual

This fine product has been carefully manufactured and will provide you with many years of carefree service. Please follow these instructions in the steps shown. Most importantly, DO NOT fully tighten any bolts or screws until instructed to do so. The Pergola must remain some what flexible until all parts have been loosely bolted into place. **Make sure the columns are properly anchored to the ground.**

Step	Description	Installation	Part Name
1	Fix mounting Stainless Steel base brackets to 4 columns with allen screws as shown in the picture.		
		Fixing of Base Bracket	Base Bracket / Allen Screw
2	Now all 4 base brackets are in place.		
		All 4 Base Bracket are place	
3	Place columns on desired location, anchor it to the ground or foundation with the help of an anchor bolt.		
		Fixing of Column with Anchor Bolt	Anchor Bolt









# Arched Pergola Installation Manual

<p><b>4</b></p>	<p><u>Make sure the columns are anchored to the ground properly using anchor bolts provided.</u></p>	 <p>All 4 Column are fixed with Anchor Bolt</p>	
<p><b>5</b></p>	<p>Insert base trim over the column to hide the anchor bolts. This protects your toes while walking bear footed near the Pergola.</p>	 <p>Insert Column Base Trim</p>	 <p>Column Base Trim</p>
<p><b>6</b></p>	<p>Glue the base trim with the help of silicon glue.</p>	 <p>Base Trim is installed</p>	



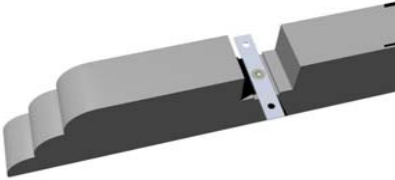
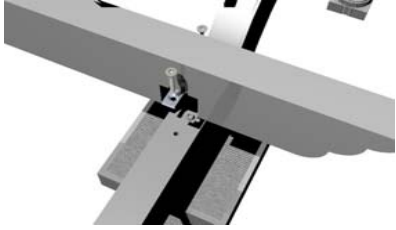
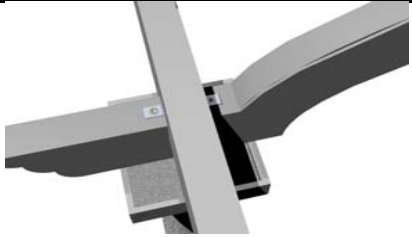


# Arched Pergola Installation Manual

<p><b>7</b></p>	<p>Install all 4 Columns</p>		
		<p>4 Columns are installed</p>	<p>Column</p>
<p><b>8</b></p>	<p>Install main Rafter with the help of long allen Bolts provided with the kit.</p>		
		<p>Insert Allen Bolt</p>	<p>Allen Bolt</p>
<p><b>9</b></p>	<p>Install other side of the rafter, same as above.</p>		
		<p>Main Rafter is installed</p>	



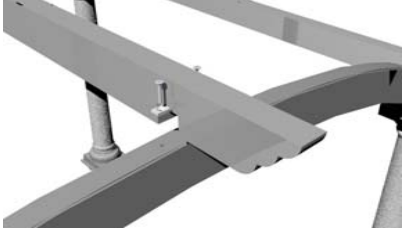




# Arched Pergola Installation Manual

10	Fix metal bracket to the rafter with the help of allen screws. Prepare all 5 rafters in similar manner.		
		Fixing of Bracket	Metal Bracket for Rafter
11	Rafters is ready for assembly.		
		Metal Bracket is fixed on to the Rafter	
12	Fix rafter on to the main curved rafter..		
		Fixing of Rafter on to the main Rafter	Rafter is installed



# Arched Pergola Installation Manual

13	Fix second rafter on to the main rafter.		
		First Rafter is installed	Second Rafter is installed
14	Fix third, fourth and the fifth rafter on to the main rafter.		
		Third Rafter is installed	Fourth and Fifth Rafter is installed
15	Tighten all screws and Pergola is ready to use.		
		Ready Pergola	

FOR QUESTION AND INFORMATION ON PRODUCT CONTACT:  
 FIRESTONE SERVICE CENTRE AT :  
 FIRESTONE INC  
 12400 PORTLAND AVENUE SOUTH  
 SUITE 195, BURNSVILLE, MN 55337  
 U.S.  
**OUR 800 NUMBER IS : 866-303-4028**